



WWW.WAS.EU

LED Modules LM2, LM7 and LM0 intelligent driver and load device for LED lamps

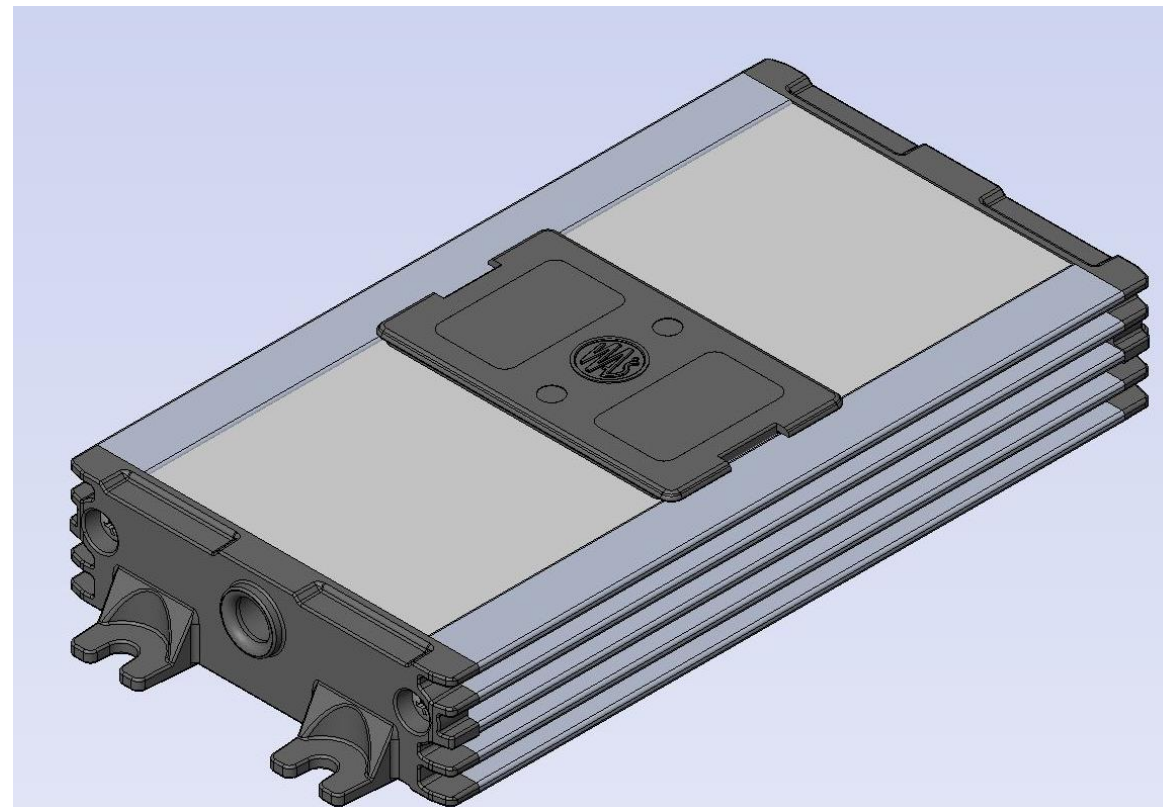
Modules LM2, LM7 and LM0 are designed as an additional load device with lights control function. Special electronic components inside modules, check whether functions of lamp work properly. When Led Module detects function failure, it disables this function and informs driver about it. Number of controlled functions depends on version of Led Module:

LM2 - additional load for all functions, only direction indicator controlled.

LM7 - additional load for all functions, all functions controlled.

LM0 – additional load for all functions, functions are not controlled – most suitable for lamps with dynamic indicator. This version is available on special request.

LED Modules were designed in many variants, with different connectors, and voltages.



EMC
electromagnetic
compatibility

MADE IN
POLAND

- MODERN DESIGN AND EXCELLENT QUALITY -



WWW.WAS.EU

LED Modules LM2, LM7 and LM0 intelligent driver and load device for LED lamps

LM2 reference numbers:

1239-12V – designed for 12V, 5 light functions. 13 Pole plug on 2,5m 8-core cable or 13 Pole socket on 0,5m cable.

1239-24V – designed for 24V, 5 light functions. 15 Pole plug on 1m 8-core cable or 15 Pole socket on 1m cable.

1240.13-12V – designed for 12V, 4 light functions. 13 Pole plug on 2,5m 7-core cable or 13 Pole socket on 0,5m cable.

1240.7-12V - designed for 12V, 4 light functions. 7 Pole plug on 2,5m 7-core cable or 13 Pole socket on 0,5m cable.

1240-24V - designed for 24V, 4 light functions. 15 Pole plug on 1m 7-core cable or 15 Pole socket on 1m cable.

LM7 reference numbers:

1241-12V – designed for 12V, 5 light functions. 13 Pole plug on 2,5m 8-core cable or 13 Pole socket on 0,5m cable.

1241-24V – designed for 24V, 5 light functions. 15 Pole plug on 1m 8-core cable or 15 Pole socket on 1m cable.

1242.13-12V – designed for 12V, 4 light functions. 13 Pole plug on 2,5m 7-core cable or 13 Pole socket on 0,5m cable.

1242.7-12V - designed for 12V, 4 light functions. 7 Pole plug on 2,5m 7-core cable or 13 Pole socket on 0,5m cable.

1242-24V - designed for 24V, 4 light functions. 15 Pole plug on 1m 7-core cable or 15 Pole socket on 1m cable.

EMC
electromagnetic
compatibility

MADE IN
POLAND

LM0 reference numbers:

1243-12V – designed for 12V, 5 light functions. 13 Pole plug on 2,5m 8-core cable or 13 Pole socket on 0,5m cable.

1243-24V – designed for 24V, 5 light functions. 15 Pole plug on 1m 8-core cable or 15 Pole socket on 1m cable.

1244-12V – designed for 12V, 4 light functions. 13 Pole plug on 2,5m 7-core cable or 13 Pole socket on 0,5m cable.

1244-24V - designed for 12V, 4 light functions. 7 Pole plug on 1m 7-core cable or 15 Pole socket on 1m cable.

1245-12V - designed for 12V, 3 light functions. 13 Pole plug on 2,5m cable or 13 Pole socket on 0,5m cable.

1245-24V - designed for 24V, 3 light functions. 15 Pole plug on 1m cable or 15 Pole socket on 1m cable.

- MODERN DESIGN AND EXCELLENT QUALITY -

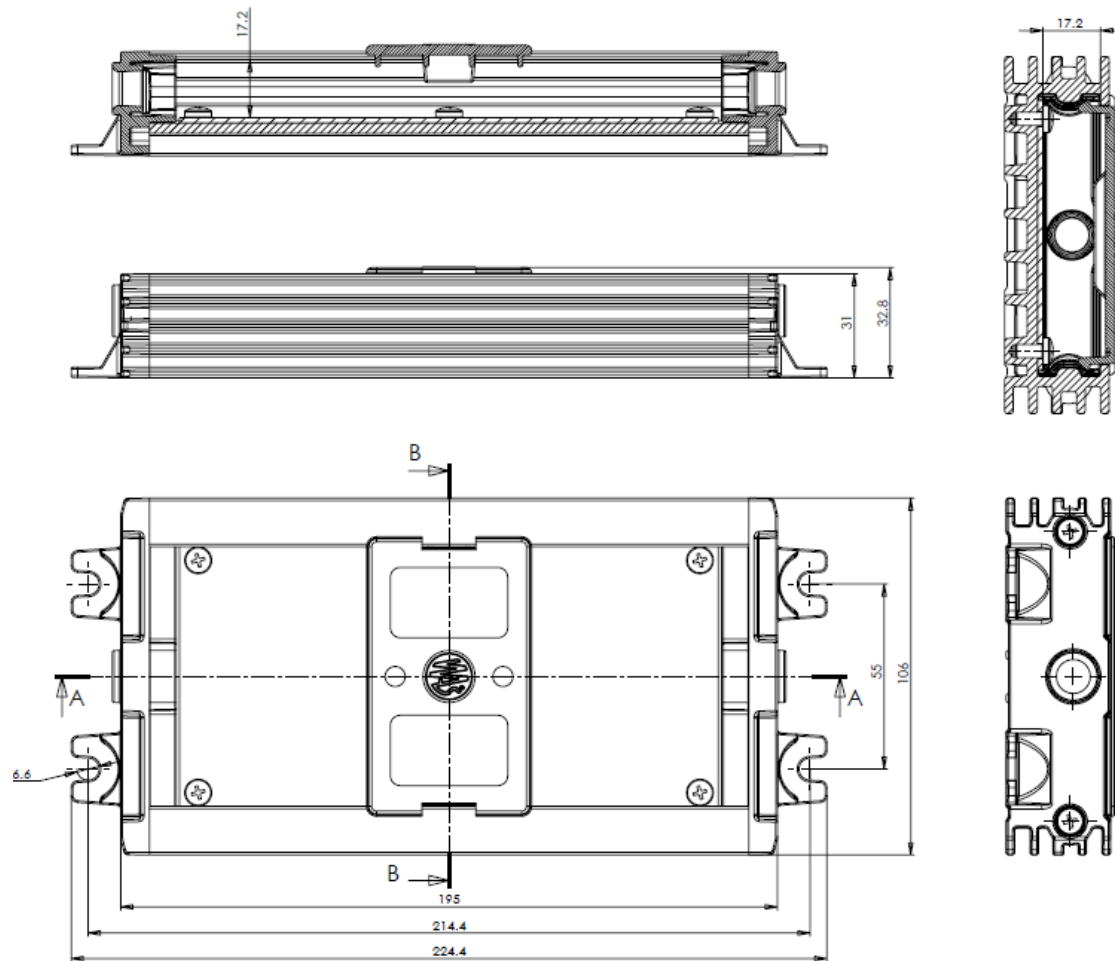


WWW.WAS.EU

LED Modules LM2, LM7 and LM0 technical drawing

EMC
electromagnetic
compatibility

MADE IN
POLAND



- MODERN DESIGN AND EXCELLENT QUALITY -